

48S24.3K0BCA 3,000 Watt

24V Bi-Directional DC/DC Converter



Features

- Automotive 48V/24V battery system
- Buck and boost modes of operation
- Low-Side (LS): 24V input voltage range: 12V to 35V
- High-Side (HS): 48V input voltage range: 24V to 56V
- Overcurrent, overvoltage, and over-temperature protection (all protections are latching)
- Disconnect switch LS (24V) and HS (48V)
- Reverse polarity protection
- Constant voltage and constant current mode
- Average current mode control
- Custom charging profile for the battery pack
- LS and HS current monitoring
- Internal temperature monitoring
- High power density
- Low profile 1"
- Efficiency up to 96.5%
- Dimensions 8.67" x 6.14" x 1.008"
- Weight: 3.04 lbs. (1.38 Kg)
- Excellent thermal performance
- Constant switching frequency
- CAN 2.0b interface including remote ON/OFF
- Good shock and vibration damping
- Highly integrated solution
- RoHS compliant

Product Overview

The 3,000-Watt 48S24.3K0BCA Bi-directional non-isolated DC/DC converter provides a complete solution for in-vehicle power distribution with 24V/48V battery configurations for a variety of applications including micro and mild hybrid automotive systems.

The bi-directional DC/DC converter charges a low-side (24V) battery during normal operation (buck mode) and charges or assists the high-voltage (48V) battery in emergency situations (boost mode).

The bi-directional DC/DC converter operates more as an ideal current source with variable direction, thus allowing energy transfer between two voltage domains. Voltage feedback maintains the output voltage within the acceptable operating range and eventually allows a custom charging profile for the battery pack. It regulates the average current flowing between the high-voltage and low-voltage ports in the direction selected via CAN interface.

It is packaged in an unprecedented low profile 8.67" x 6.14" x 1.008" mechanically enclosed package weighing only 3.04 lbs. The package makes the unit ideal for harsh shock and vibration requirements as well as easy integration with a battery pack. Three M8 bushings are provided two for power connection and two for ground connections.

Operational Overview

| Model | | | | 48S24.3K0BCA | | | | | |
|-------------------------|-----|--------|-----|--------------------|-------|------------------|-------|---------------------|-------|
| Input Voltage Range [V] | | | | Output Current [A] | | Output Power [W] | | Efficiency [%] @ FL | |
| 24V In | | 48V In | | Buck | Boost | Buck | Boost | Buck | Boost |
| Min | Max | Min | Max | Max | Max | Max | Max | Typ | Typ |
| 12 | 35 | 24 | 56 | 125 | 83 | 3000 | 3000 | 97.5 | 97.6 |

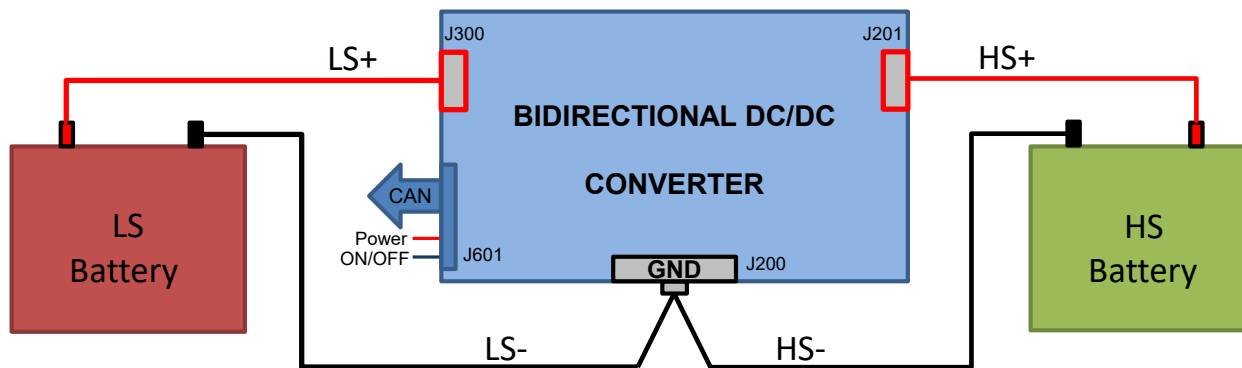


Figure 1. 48S24.3K0BCA Block Diagram

The 48S24.3K0BCA integrates a non-isolated two-phase DC/DC converter for bi-directional current flow between two batteries (LS = 24V and HS = 48V), a disconnect switch on low side, and a CAN interface with the following connections:

1. **Low-Side Positive (LS+) Connector** – J300: M8 threaded press-fit bushing (WE 7460717).
2. **High-Side positive (HS+) Connector** – J201: M8 threaded press-fit bushing (WE 7460717)
3. **GND Connector** – J201 common GND for LS and HS. M8 threaded press-fit bushing (WE 7460717)
4. **CAN Interface Connector** – J601 signal connector for the CAN interface. ENABLE signal and power connection for powering the high-speed CAN-transceiver with BUS wake-up and microcontroller inside the converter. The power connection has reverse polarity protection and is required for proper operation of the converter.

Functional Features

The 48S24.3K0BCA is fully controlled via CAN interface. It uses a high-speed CAN transceiver for communication with the microcontroller. It provides control of the PWM control ICs, and protection and monitoring of the current and temperature monitoring features. The converter operates in buck, boost and pre-charge mode.

The 48S24.3K0BCA includes a disconnect switch based on a back to-back N MOSFET configuration for both low side (24V battery) and high side (48V battery). The converter has reverse voltage protection, short circuit protection as well as low standby current. The design includes a CAN 2.0b interface for complete control of the converter as well as monitoring +LS and +HS voltage and current and internal temperature of the converter. The 48S24.3K0BCA is designed to operate in wide temperature range. Through holes in the base plate are provided to allow easy mounting or the addition of a heatsink or cooling plate for extended temperature operation.

The converter's high efficiency and high-power density are accomplished through the use of high-efficiency synchronous rectification technology, advanced electronic circuitry, and leading edge packaging and thermal design. This results in a highly reliable product. The diode emulation mode of the synchronous rectifiers prevents negative currents; however, also enables discontinuous mode operation for improved efficiency with light loads. The converter operates at a fixed frequency and follows conservative component de-rating guidelines.

Electrical Specifications

Conditions: T_A = 25 °C, Airflow = 200 LFM (1.0 m/s), V_{in} = 48VDC, unless otherwise specified. Specifications are subject to change without notice.

| 48S24.3K0BCA | | | | | |
|--|--------------------------------------|-------|------|------|-------|
| Parameter | Notes | Min. | Nom. | Max. | Units |
| Absolute Maximum Ratings | | | | | |
| Input voltage | | | | | |
| High side (48V) | Continuous | -5.8 | | 58 | V |
| | Load dump | | 70 | 75 | V |
| Low side (12V) | Continuous | -45 | | 45 | V |
| | Load dump | | | 55 | V |
| Operating Temperature | Baseplate (100% power) | -40 | | 100 | °C |
| Storage Temperature | | -55 | | 125 | °C |
| Isolation Characteristics and Safety | | | | | |
| Isolation voltage - continuous | +LS to baseplate | 100 | | | V |
| | +HS to baseplate | 200 | | | |
| Fixed Switching Frequency – Multiphase converter | Each phase | | 175 | | kHz |
| | Total four phases | | 700 | | kHz |
| TEMP monitor | PCB temperature | -40°C | | +125 | °C |
| | Accuracy | -2 | 1 | +4 | % |
| All protections latching | | | | | |
| Over-temperature shutdown | PCB temperature – fixed and latching | 114 | 120 | 126 | °C |
| ON/OFF remote control – positive logic | | | | | |
| ON state | Pin voltage | 8 | | | V |
| OFF state | | | | 3.8 | V |
| CAN Baud rate | | | 500 | | Kbps |
| Thermal Characteristics | | | | | |
| Thermal resistance baseplate to components | At full load | | 14 | | °C |

Electrical Specifications - Buck Mode

Conditions: T_A = 25 °C, Airflow = 200 LFM (1.0 m/s), V_{in} = 48VDC, V_o = 13.8V, unless otherwise specified. Specifications are subject to change without notice.

| 48S24.3K0BCA – Buck Mode | | | | | |
|---|---|-------------|-------------|-------------|--------------|
| Parameter | Notes | Min. | Nom. | Max. | Units |
| High-Side (Input) Characteristics | | | | | |
| Operating voltage range | | 24 | 48 | 56 | V |
| Under voltage lockout | Latching | | | | |
| Turn-on threshold | Default | | 24.9 | | V |
| Turn-off threshold | Default | | 23.4 | | V |
| | Programmable | 22.5 | | 52 | V |
| Lockout hysteresis voltage | Default | | 1.5 | | V |
| Overvoltage protection | Default | | 56 | | V |
| | Programmable | 24 | | 60 | V |
| Maximum high-side current | VHS = 36V, VLS=24V, ILS=125A (1500W) | | 85.5 | | A |
| | VHS = 48V, VLS=24V, ILS=125A (1500W) | | 64.5 | | A |
| LS current rise time | During startup (turn on) only | | 10 | | A/ms |
| Stand-by current | Converter disabled | | 100 | | μA |
| Output (Low-Side) Characteristics | | | | | |
| Overvoltage protection | Default value | | 35 | | V |
| | Programmable | 20 | | 40 | V |
| Undervoltage protection | Default | | 10.8 | | V |
| | Programmable | 10 | | 40 | V |
| LS Stand-by current | Converter Disabled and in hibernation | | 30 | | μA |
| Constant Voltage Mode | | | | | |
| Output voltage range | Programmable via CAN interface ²⁾ | 12 | | 35 | V |
| Output voltage set point accuracy | At 10A load current | | ±1 | | % |
| Constant Current Mode | | | | | |
| Output Current range/overcurrent protection | Programmable via CAN interface (ISET) | 1 | | 125 | A |
| Output current regulation | 12.5A < load current < 125A | | ±1 | | % |
| Output current set point accuracy | 12.5A < load current < 125A | | ±1 | | % |
| Low-side current monitor (read back) | 12.5A < load current < 125A | | 2 | | % |
| High-side current monitor (read back) | 7A < IHS < 65A | | ±1 | | % |
| Efficiency | | | | | |
| ILS= 62.5A (1,5000W) ¹⁾ | V _{in} =48V, V _o = 24V ¹⁾ | 96.8 | 97.83 | 98.6 | % |
| ILS = 125A (3.000W) ¹⁾ | V _{in} = 48V, V _o = 24V ¹⁾ | 96.7 | 97.5 | 96.4 | % |

¹⁾ Voltages measured at converter terminals.

Electrical Specifications - Boost Mode

Conditions: $T_A = 25\text{ }^\circ\text{C}$, Airflow = 200 LFM (1.0 m/s), $V_{in} = 13.8\text{VDC}$, $V_o = 48\text{V}$ unless otherwise specified. Specifications are subject to change without notice.

| 48S24.3K0BCA – Boost Mode | | | | | |
|---|---|------|---------|------|---------------|
| Parameter | Notes | Min. | Nom. | Max. | Units |
| Low-Side (Input) Characteristics | | | | | |
| Operating voltage range | | 18 | 24 | 32 | V |
| Under voltage lockout | Latching | | | | |
| Turn-on threshold | Default | | 11.8 | | V |
| Turn-off threshold | Default | | 10.8 | | V |
| | Programmable | 10 | | 40 | V |
| Lockout hysteresis voltage | Default | .3 | 0.55 | 1 | V |
| Overvoltage protection | Default | | 35 | | V |
| | Programmable | 20 | | 40 | V |
| Maximum low-side current | VLS = 24V | | | 125 | A |
| Stand-by current (converter disabled) | VHS > VLS (buck or boost) | | 50 | | μA |
| | VHS < VLS (pre-charge mode) | | 100 | | μA |
| High Side (Output) Characteristics | | | | | |
| Overvoltage protection | Default value | | 56 | | V |
| | Programmable | 24 | | 60 | V |
| Undervoltage protection | Default | | 23.4 | | V |
| | Programmable | 22.5 | | 52 | V |
| Stand-by current | Converter disabled and in hibernation | | 100 | | μA |
| Constant Voltage Mode | | | | | |
| Output voltage range | Programmable via CAN interface ²⁾ | 24 | | 58 | V |
| Output voltage set point accuracy | At 3A load current | | ± 1 | | % |
| Constant Current Mode | | | | | |
| Output current range LS current | Programmable via CAN interface (ISET) | 1 | | 125 | A |
| Output current regulation | | | 1 | | % |
| Output current set point accuracy | At ILS = 37A | | ± 1 | | % |
| | At ILS = 74A | | ± 1 | | % |
| Low-side current monitor (read back) | 25A < ILS < 125A | | 2 | | % |
| High-side current monitor (read back) | 7A < IHS < 62.5A | | ± 1 | | % |
| Efficiency | | | | | |
| IHS = 15.8A (750W) | $V_{in} = 24\text{V}$, $V_o = 48\text{V}^{1)}$ | 96.9 | 97.9 | 98.3 | % |
| IHS = 31.3A (1500W) | $V_{in} = 24\text{V}$, $V_o = 48\text{V}^{1)}$ | 96.8 | 97.6 | 98.2 | % |

¹⁾ Voltages measured at converter terminals.

²⁾ Output (HS) voltage is always > Input (LS) voltage.

Environmental and Mechanical Specifications

Specifications are subject to change without notice.

| General Parameters | | | | | |
|-------------------------------|---|--------------------|-------|--------|--------|
| Parameter | Note | Min. | Nom. | Max. | Units |
| Environmental | | | | | |
| Operating Humidity | Non-condensing | | | 95 | % |
| Storage Humidity | Non-condensing | | | 95 | % |
| ROHS Compliance ¹⁾ | See the Calex website http://www.calex.com/pdf/ROHS.pdf for the complete RoHS compliance statement. | | | | |
| Shock and Vibration | Designed to meet MIL-STD-810G for functional shock and vibration. | | | | |
| Water Washability | Not recommended for water wash process. Contact the factory for more information. | | | | |
| Mechanical | | | | | |
| Weight | | | 3.034 | | lbs. |
| | | | 1.376 | | kg |
| Power Terminal | | | .525 | | inches |
| | Material | Brass | | | |
| | Surface | Tin | | | |
| | Tightening torque | 8.85 in/lbs. | | | |
| | Rated current (Low Side) | 250 A | | | |
| | External thread | M8 | | | |
| Overall Dimensions | 8.67 x 6.14 x 1.008 | | | | inches |
| | 220.22 x 155.96 x 25.6 | | | | mm |
| Cover | Material | 0.25 in. THK steel | | | |
| | Finish | Powder coat, black | | | |
| Baseplate | Material | Aluminum | | | |
| | Flatness | -0.005 | | +0.005 | inches |
| | | -0.125 | | +0.125 | mm |

Note: This is the RoHS marking:

CAN Functions

The following functions are fully controlled via CAN interface:

- ON/OFF
- Current and voltage set points
- Current direction
- Protection threshold: Undervoltage, Overvoltage, and Overtemperature

In addition, the 48S24.3K0BCA provides low side current monitoring and internal PCB temperature monitoring.

High speed CAN-Transceiver (TLE7251VSJ) is employed for communication between the CAN interface and the microcontroller inside the converter. The converter requires both voltages to be present, the high side and low side voltages must be inside the specified range with HS voltage always higher than LS voltage to operate in either buck or boost mode.

All protective functions are latching and reset can only be accomplished via the CAN interface. The converter has default limits (minimum and maximum) for current and voltage set points as well as for undervoltage, overvoltage and overtemperature thresholds. Note that the threshold for all protective features can be programmed via CAN, as long as the programmed value is inside the default limits (See spec). The converter will shut down and latch if the set points (voltage and current) and thresholds for all protections are set outside of the default limits. Contact the factory for the CAN interface: Command and Status Message.

The 48S24.3K0BCA regulates the average current flowing between the high voltage and low voltage ports in the direction specified by the DIR signal. It is designed to operate in constant current mode (CCM) or constant voltage mode (CVM).

In the constant current mode, the low side current is programmed and regulated regardless of mode of operation, buck, or boost. When operated in the constant voltage mode, the programmed current (ISET) has to be greater than the actual LS current.

The direction of the current can be changed on the fly, in which case the converter reduces the LS current to zero and start in different mode (reversing the current direction) with a time delay of 35 msec (typ.). Note that ISET needs to be inside the default limits for the given mode of operation (See the specification).

The 48S24.3K0BCA includes a disconnect switch based on a back to-back N MOSFET configuration for both the low side (+24V battery) and high side (+48V battery) and provides reverse voltage protection, overcurrent, short circuit protection as well as low standby current for the low side.

Note:

- External power (KL15 on J601 connector) is not required.
- ENABLE (J601 connector) high level (>8V/max 18V) and CAN command are required to enable the converter.

Operational Notes

Input Fusing

The 48S24.3K0BCA converter provides an electronic disconnect switch based on back-to-back 40V/100V rated N MOSFETs on the low side and 100V rated N MOSFETs on the high side.

Reverse Voltage Polarity Protection

The 48S24.3K0BCA converter has input reverse polarity protection on both low side (24V battery) and high side (48V battery).

Undervoltage Protection

For proper operation, it is required to have voltage present on the HS and LS terminals. The 48S24.3K0BCA converter monitors the high side and low side voltages and starts and regulates properly only if both voltages exceed the corresponding Turn-on thresholds (see Specification) and remain at or above Turn-on threshold. The converter turns off when either of the two voltages drop below their corresponding Turn-off threshold (See specification) and latches off.

The built-in hysteresis prevents the converter from shutting down at the low input voltage near the Turn-on threshold. The converter can be restarted only via CAN interface once both voltages are above their Turn-on thresholds and the ENABLE pin is in logic level high state.

Note: the undervoltage circuit has hysteresis only for the high side voltage when the converter operates in the buck mode and for low side voltage when the converter operates in the boost mode. Once the undervoltage threshold is reached, the convertor shuts down and latches off.

The user should consider the voltage drop due to resistive ($I \cdot R$) and inductive voltage drops in the power lines to ensure the voltage at the converter's terminals is above the Turn-off threshold level under all operating conditions. If the values for the undervoltage protection are not provided via the CAN interface, the converter uses default values (see Specification).

Input Source Impedance

Because of the switching nature and negative input impedance of DC/DC converters, the input of these converters must be driven from the source with both low AC impedance and DC input regulation.

The low profile of the 48S24.3K0BCA converter is optimized for a power source cable length of 4m (13 ft) for High Side battery and up to 4m (13 ft) for low side battery.

The DC input regulation, associated with the resistance between the input power source and the input of the converter, plays a significant role in low input voltage applications such as 24V battery systems.

Note that the input voltage at the input terminals must never decrease below the Turn-off threshold under all load conditions during operation.

ENABLE (J601 – pin 3)

The ENABLE pin is used in conjunction with the CAN interface and needs to be in the active state (logic level high > 8V) to enable the converter via CAN interface.

Switching voltage level on the ENABLE pin from high to low (<3.8V) or shorting to GND shuts down and latches the converter. Switching the ENABLE voltage from logic low to logic high does not enable the converter until the next command for enabling the converter via CAN interface is generated.

Constant Current Mode and Direction Select

The converter operates as an ideal current source with variable direction when the output voltage is lower than the voltage specified by the CAN interface. This configuration allows energy transfer between the two voltage domains (batteries). Only the low side domain current is directly programmed and regulated in both modes of operation (buck and boost). The current can be programmed in the range of $ISET = 1A-125A$. The converter has an internal soft start for ISET to reduce inductive voltage drop in the power cables during turn-on (See specification table).

The converter will not operate if $ISET = 0$ or it is outside the limits. Current level ISET can be changed on the fly.

The direction of the current can be changed dynamically during operation. In that case, the converter will shut down and change the mode of operation through the internal soft start thus eliminating surge current during the direction change.

Pre-Charge Mode

Contact the factory for option with pre-charge mode operation.

Current Monitoring

The converter provides LS and HS current monitor read back value via the CAN interface. It has a positive value when converter operates in buck mode and a negative value when converter operates in boost mode.

Constant Voltage Mode

When the load current is lower than the programmed current, ISET, the converter operates in the voltage mode regulating the output voltage at the level set by the CAN interface. The range of both voltages is provided in the specification table. The converter does not operate if the voltage level programmed via the CAN interface is outside the range. If the load current exceeds the ISET current level, the output voltage is reduced and the converter enters the constant current mode regulating the low side current.

Output Overcurrent Protection (OCP)

The converter senses both LS and HS currents. Average LS current is limited at ISET level when converter operates in constant current mode. Low side (Inductor current) is monitored and limited to the current level set by the CAN interface (ISET =1A-125A). Additional protection on the LS is provided by microcontroller and OCP is tripped if LS current exceeds +/-165A. Additional level of protection for LS current is cycle by cycle current limit is set 20% above OCP threshold. HS current is also monitored and OCP it tripped at typ. $\pm 96A$ in case of overload or short circuit.

Once the OCP threshold is tripped, internal logic disconnects converter from the LS and HS batteries via corresponding disconnect switches.

Buck Mode

If the load current increases above the maximum limiting level, the converter enters constant current mode of operation, and the low side voltage (output voltage) will be reduced. When it drops below the turn-off threshold for the low side terminal (12V), the undervoltage protection will be activated and the converter will shut down, turn-off the disconnect switch and latch off.

The converter can only turn-on via the CAN interface. Note: the converter will not start if the low side voltage is below the turn-on threshold so a startup into a shorted low side is prevented.

Boost Mode

In the boost mode, the output current on the high side terminal is indirectly limited by the inductor (LS) current. If the load current increases above the maximum limiting level defined by ISET, converter operates in constant current mode and the high side voltage (output voltage) will be reduced. When it drops below the turn-off threshold for the high side terminal (48V), the undervoltage protection will be activated and the converter will shut down, turning off both the low side and the high side disconnect switches and latch off.

The converter can only turn-on via the CAN interface. Note: that the converter will not start if the high side voltage is below the turn-on threshold so that startup into a shorted high side is prevented.

Output Overvoltage Protection (OVP)

The converter will shut down if either of the terminal voltages (low side or high side) is above their corresponding thresholds of the OVP circuitry. Once the converter has shut down, it will remain latched off. Overvoltage thresholds can be programmed via the CAN interface; however, must be inside the limits provided in the specification table.

If the CAN command requires an OVP threshold above

the max limit set internally, the converter will shut down and remain latched.

Over-Temperature Protection (OTP)

The 48S24.3K0BCA converter has two levels of over temperature protection. The first level provides a voltage proportional to the average PCB temperature and this signal can be used by end user to either adjust the operation of the converter (such as reduce current) or set a disable for the converter when the temperature reaches a predetermined level. The second level of over temperature protection is provided by temperature switches with a fixed threshold of typ 120°C. It will be activated if OTP set by user is above 120C. The converter will shut down when the temperature exceeds 120°C. The temperature threshold hysteresis is typically 10°C.

Once the over temperature protection is tripped, the converter will shut down and latch off. Restarting the converter requires an enable from the CAN interface.

Thermal Consideration

The 48S24.3K0BCA converter can operate in a variety of thermal environments. However, to ensure reliable operation of the converter, sufficient cooling should be provided. The 48S24.3K0BCA converter has a base plate with through holes on the side to allow easy mounting or addition of a heatsink, or base plate for extended temperature operation.

The metal cover on the top of the converter is not used for cooling as it serves as protection for the components on the PCB. To improve the thermal performance, the power components inside the unit are thermally coupled to the baseplate. In addition, the thermal performance of the converter is enhanced by use of the power terminals. Heat is removed from the converter by conduction, convection, and radiation. To achieve the required performance, factors such as ambient temperature, airflow, power dissipation, converter orientation, (how the converter is mounted) need to be considered.

It is recommended to measure the temperature in the middle of the baseplate, in each particular application to ensure that proper cooling of the converter is provided.

Another indirect method is to monitor read back temperature via CAN interface and do not operate if temperature is above 110C.

A reduction in the operating temperature of the converter results in increased reliability.

Thermal Derating

The converter is cooled entirely via the base plate, and partially via power terminals (+HS, GND and +LS) and power cables connected to the batteries. Note that converter can deliver full power (3kW) as long as base plate temperature does not exceed 100 C.

Test Configuration

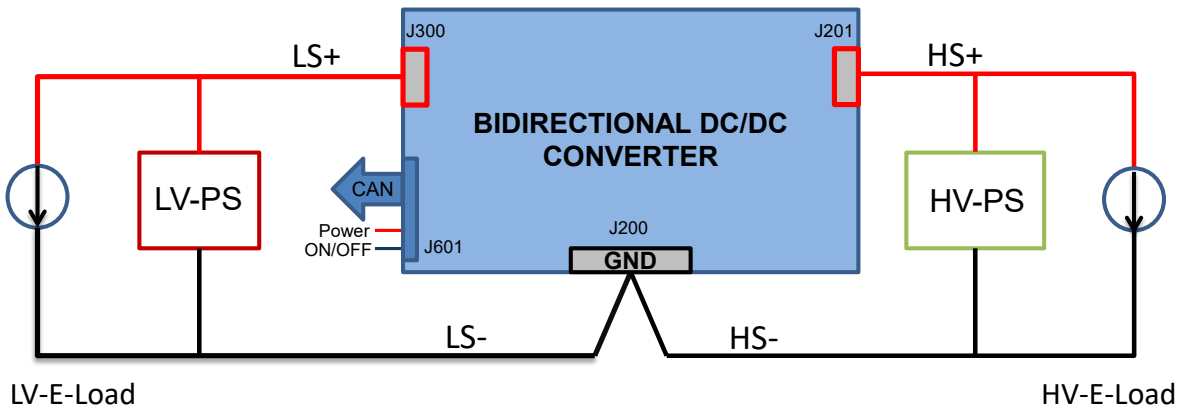


Figure 2: Bench Setup

Figure 2 illustrates the bench setup used to operate 48S24.3K0BCA and take measurements provided in datasheet. The combination of the Electronic Load (E-Load) and Bench Power Supply (PS) emulates a battery capable of both sourcing and sinking current.

For testing converter in constant current mode:

Buck Mode:

- LV-PS needs to be set at a lower value than VSET by the CAN interface and be able to provide current to support LS-E-load current.
- LS-E-Load needs to be set to have current higher (10% - 20%) than ISET by the CAN interface.
- HV-PS should be capable of providing the maximum required power.
- HV-E-Load is not required.

Boost Mode:

- HV-PS needs to be set at a lower value than VSET by the CAN interface and be able to provide current to support HS-E-Load current.
- HS-E-Load needs to be set to have current higher (10% - 20%) than ISET by CAN interface.
- LV-PS should be capable of providing the maximum required power.
- LV-E-Load is not required.

Direction Change:

- LV-PS and HV-PS need to be set at a lower value than VSET by the CAN interface and be able to provide current to support LS-E-Load and HS-E-Load current, respectively.
- LS-E-load and HS-E-load need to be set to have current higher (10%-20%) than ISET by CAN interface.

Note: It is recommended to use diode in series with power supply to prevent current from the converter flowing into power supply.

Characteristic Curves — Efficiency and Power Dissipation in Buck and Boost Mode

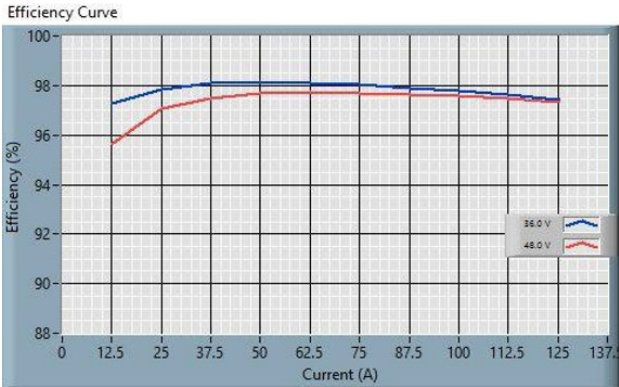


Figure 3: 48S24.3K0BCA Efficiency Curve – Buck Mode, $V_o=24V$

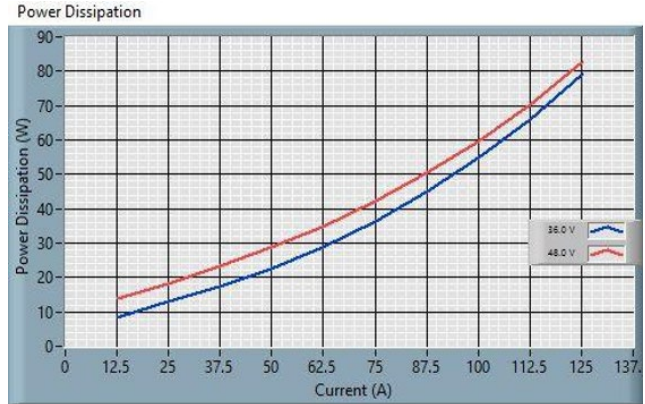


Figure 4: 48S24.3K0BCA Power Dissipation – Buck Mode, $V_o=24V$

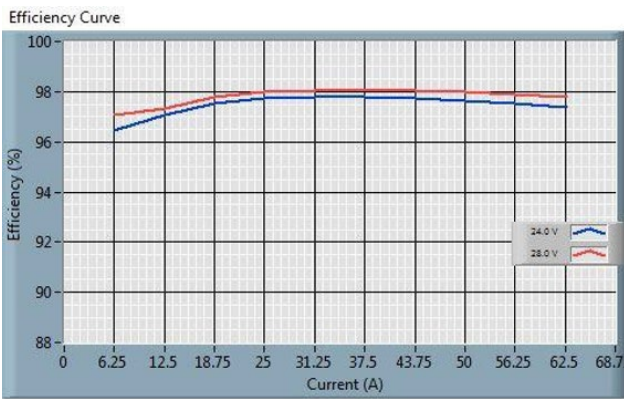


Figure 5: 48S24.3K0BCA Efficiency Curve – Boost Mode, $V_o=48V$

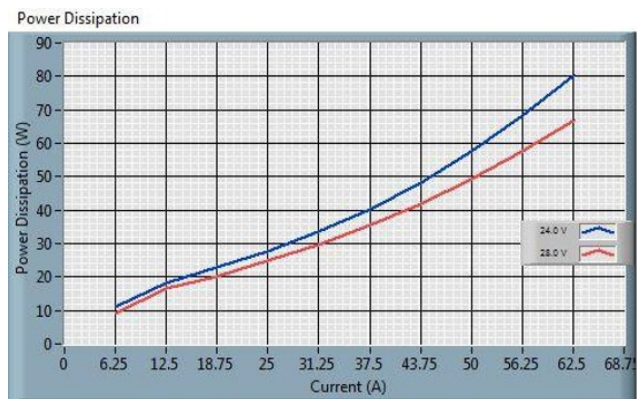
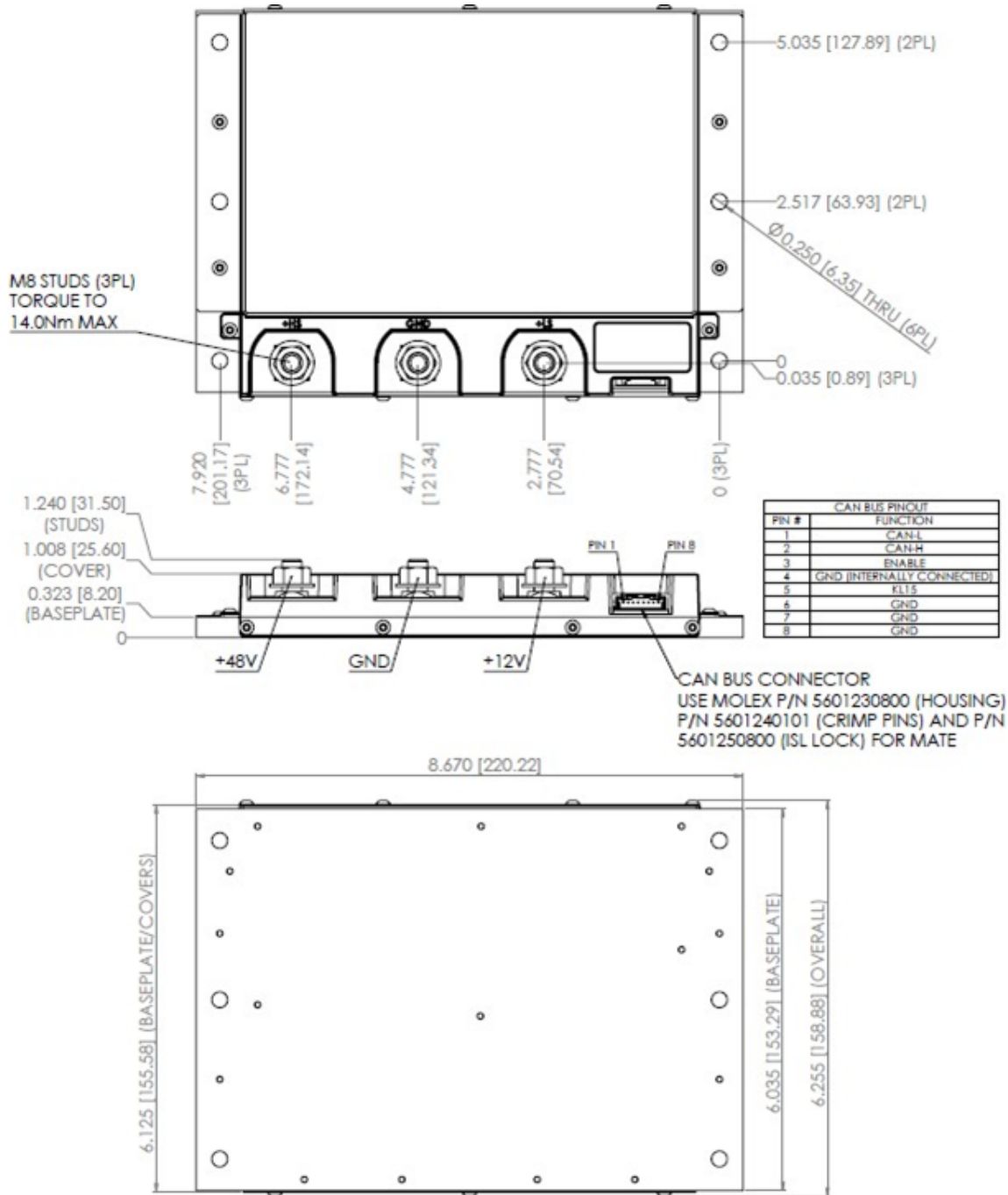


Figure 6: 48S24.3K0BCA Power Dissipation – Boost Mode, $V_o=48V$

Mechanical Specifications



NOTE: All dimensions are in inches [mm] unless otherwise specified. Tolerances: x.xx in. ±0.02 in.